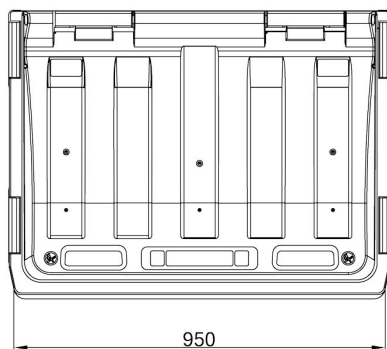
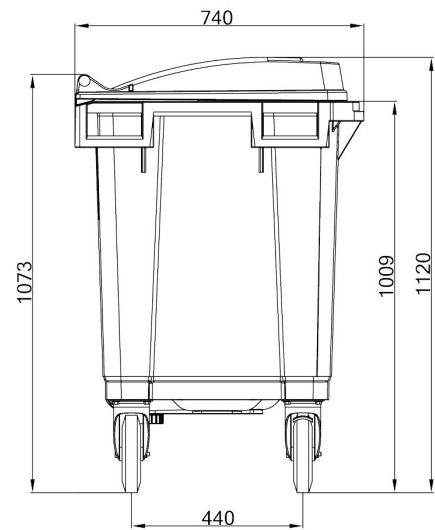
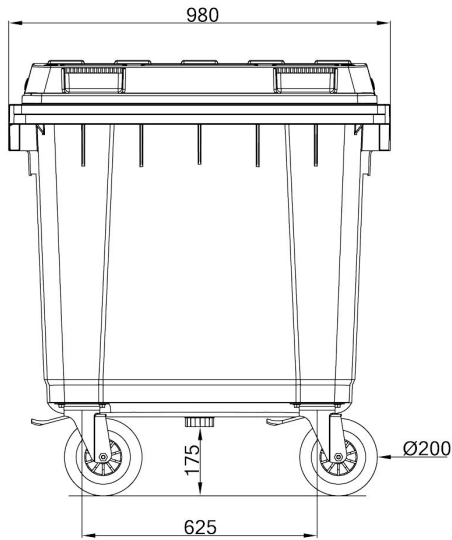


**MGB 400 S**  
**DIN VERSION**



**TECHNICAL DATA**

Volume (L):	400
Weight (kg):	approx. 29
Nominal load (kg):	max. 350
Material:	HDPE, UV-stabilized
Wheels:	4 rubber wheels Ø 200 mm 2 with wheel stop
Lid / Body:	hinge tube with 2 hinge pins Lid with 2 handles
Lifter compatibility:	Due to the special container dimensions a lifter compatibility check is necessary.

**OPTIONS**

- Pad lock
- Gravity lock
- Triangular lock
- Recycling inserts for glass, paper and packaging
- Individual identification
- Noise reduction
- Direction lock for castors
- Heavy load wheels
- Alternative wheels Ø 160 mm
- Central brake system (CBS)
- Lateral handle (incl. CBS)
- Identification Systems
- WITHOUT drainage plug

The products do not contain any substances on the SVHC list of the European Chemicals Agency (ECHA).