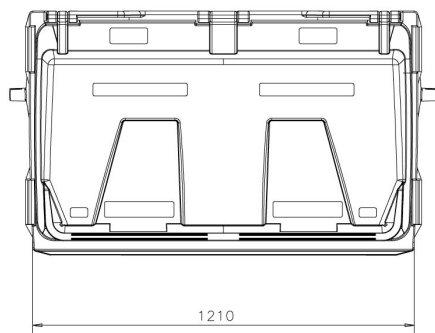
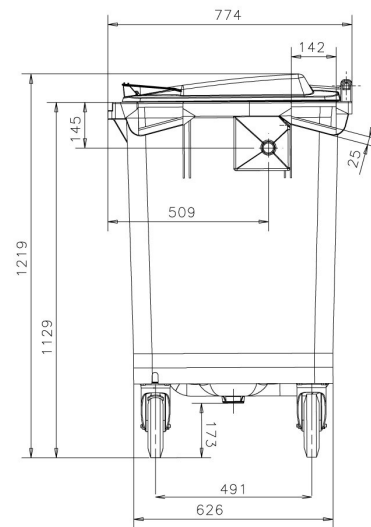
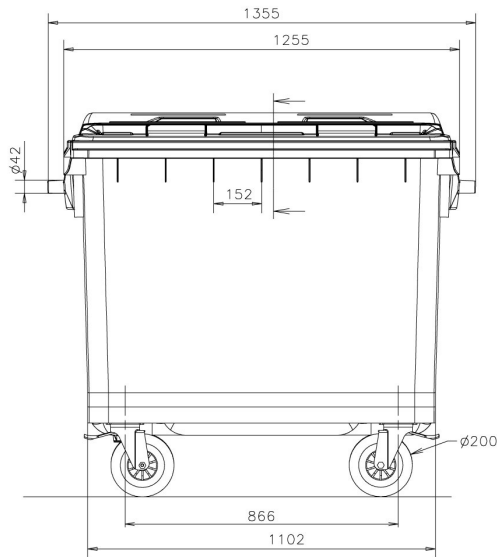


MGB 660 PWS
DIN VERSION



TECHNICAL DATA

Volume (L):	660
Weight (kg):	approx. 40
Nominal load (kg):	max. 310
Material:	HDPE, UV-stabilized
Wheels:	4 rubber wheels ϕ 200 mm 2 with wheel stop
Lid / Body:	4 hinge pins Lid with lip and bow handle
Trunnions:	Reinforced with internal plastic ribs
Certification:	EN 840; RAL GZ 951/1

OPTIONS

- Individual identification
- Noise reduction
- Direction lock for castors
- Heavy load wheels
- Central brake system (CBS)
- Lateral handle (incl. CBS)
- Identification Systems
- AFNOR comb

The products do not contain any substances on the SVHC list of the European Chemicals Agency (ECHA).